



FE TECHNOLOGIES

FE Technologies D1 Desktop Loan Station

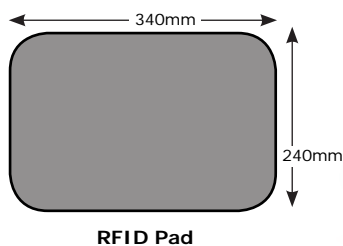
An attractive design, intuitive and easy-to-use interface that simplifies the self check-out and borrowing process. That equals value for their time and your money.



RFID that works.

Technical Specifications

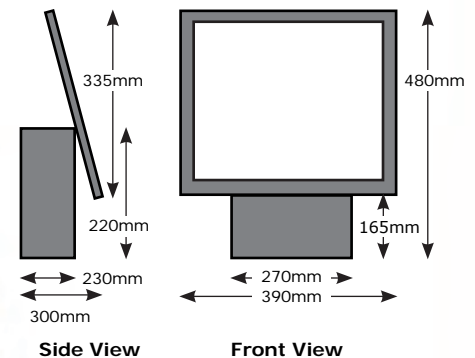
The D1 Desktop Loan Station is a Self Loan Station that allows patrons to checkout multiple items at a time. It features a 15" touchscreen computer, RFID pad with instructions and a receipt printer. It is designed to be mounted on a desk or bench. It requires a power and data connection.



RFID Pad



Screen View



Side View

Front View

- **Flexible installation** - the unit is easy to install, and can be located on any suitable desktop, bench or table anywhere in the library. The RFID pad has customisable artwork to direct patrons how to use the unit.
- **Robust, high quality componentry** - The Self Loan Station has simple to use user interface on a touchscreen. A shielded RFID reader reads up to 15 items at a time, drastically speeding up the checkout process.
- **3-step borrowing process** - By using the Self Loan Station, the borrowing process is reduced to three simple steps, removing every need for a patron to visit the circulation desk. Even on hold items and the patron's account status can be managed by the patron at the Self Loan Station. All workflows and screen interactions are customisable.

We'd love to discuss library RFID and its benefits with you and your team. We can arrange a demonstration of our products at your premises, arrange a tour of our site, or even arrange a tour of one of our up and running RFID libraries.



FE TECHNOLOGIES

Give us a call:
Send us an email:
Or visit our website:

1 300 731 991
enquiries@fetechgroup.com
www.fetechgroup.com